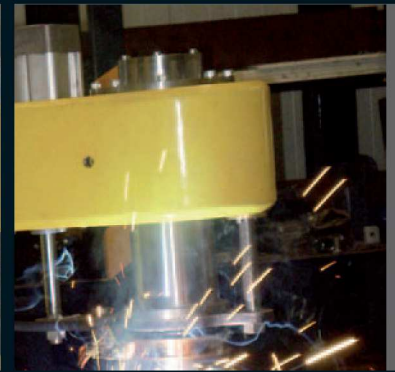




SARMAKINA



ABOUT SARMAKİNA

As a SARKUYSAN Group Company; SARMAKİNA is the leader manufacturer of high quality steel reels / drums, equipments and machinery such as pay-offs, spoolers, rewinding machines and filters for wire and cable industry in Turkey and is one of the leader companies in Europe.

Additionally; SARMAKİNA offers wide range products for electromechanical industry such as insulated copper wire, flexible and solid copper / aluminium bus bars and copper plates.

SARMAKİNA continues production with the highest quality and level of customer satisfaction since 1991.

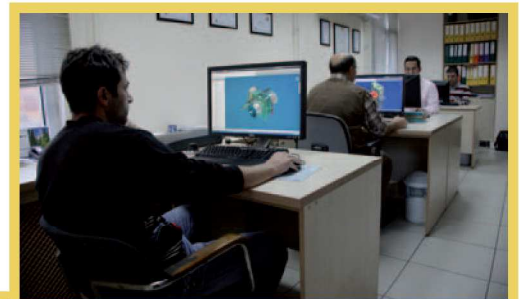
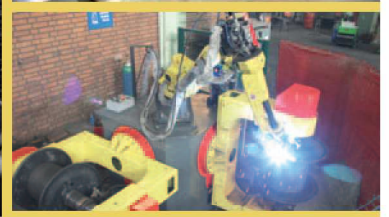
SARMAKİNA will always maintain the high quality in order to meet the customer demands.



SARMAKİNA
SANAYİ VE TİCARET A.Ş.



HIGH QUALITY PRODUCTION WITH THE ADVANCED TECHNOLOGY





STEEL REELS & DRUMS



SMD
Pressed steel reels with
double wall flanges

SMM
Solid steel reels



SME
Pressed steel reels with
single wall flange

SMD-H
Pressed steel reels with
double wall flanges



SMC
Drums with flat flanges and
ribs

SMO
Drums with corrugated
flanges



SMB
Drums with flat flanges and ribs

SMD TYPE STEEL REELS - DIN 46397

SIZE RANGE

- Ref. DIN 46397
- Ref. Customers' : Special requirements

APPLICATION

- For all kind of wire / cable machines such as wire drawing, bunching, stranding, rewinding, extrusion lines etc.
- Also suitable for the shipping purposes

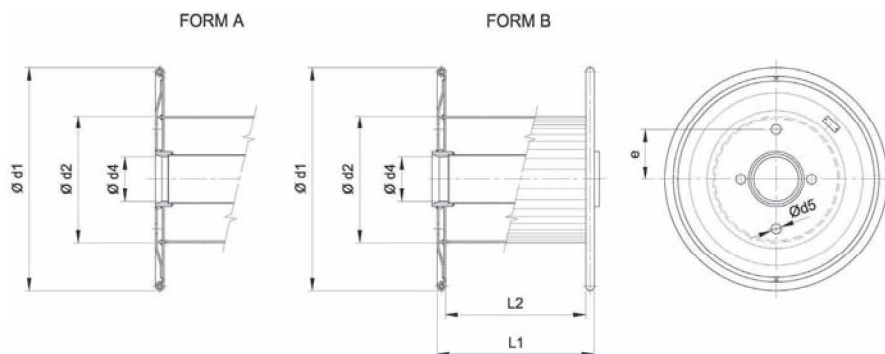


TECHNICAL PROPERTIES

- Manufactured from high quality steel plates and tubes
- Welded by MIG/MAG process
- Dynamically balanced according to ISO 1940-G40 for line speed up to 40m/sec

OPTIONS

- Special design to meet customers' request
- Dynamically balanced for line speed up to 50m/sec
- Finish painting acc. to customer request





SMM TYPE STEEL REELS - DIN 46397



SIZE RANGE

- Ref. DIN 46397
- Ref. Customers' : Special requirements

APPLICATION

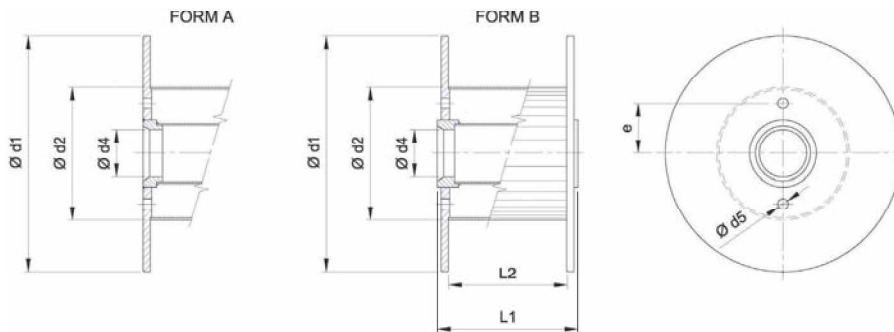
- For all kind of wire / cable machines such as wire drawing, bunching, stranding, rewinding, extrusion lines etc.
- Also suitable for the shipping purposes

TECHNICAL PROPERTIES

- Manufactured from high quality steel plates and tubes
- Welded by MIG/MAG process
- Dynamically balanced according to ISO 1940-G40 for line speed up to 40m/sec

OPTIONS

- Special design to meet customers' request
- Dynamically balanced for line speed up to 50m/sec
- Finish painting acc. to customer request



SME TYPE STEEL REELS - DIN 46395

SIZE RANGE

- Ref. DIN 46395
- Ref. Customers' : Special requirements

APPLICATION

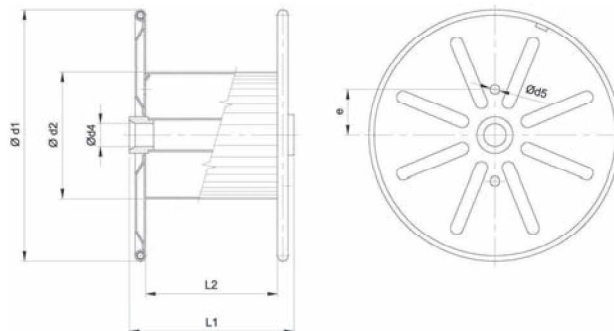
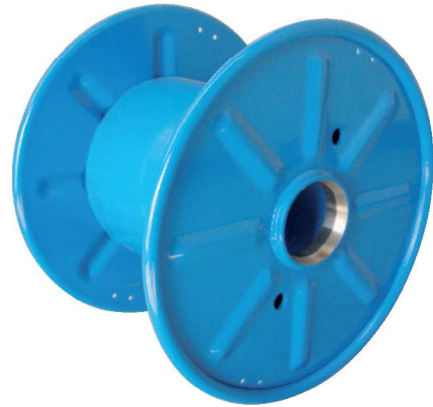
- For all kind of wire / cable machines such as wire drawing, bunching, stranding, rewinding, extrusion lines etc.
- Also suitable for shipping purposes

TECHNICAL PROPERTIES

- Manufactured from high quality steel plates and tubes
- Welded by MIG/MAG process

OPTIONS

- Special design to meet customers' request
- Dynamically balanced to ISO 1940-G40 for line speed up to 25m/sec
- Reinforcement on flange surfaces by ribs
- Flat sided flange without embossing
- Flanges with cable access slots
- Finish painting acc. to customer request





SMD-H TYPE STEEL REELS - DIN 46397



SIZE RANGE

- Ref. DIN 46397
- Ref. Customers' : Special requirements

APPLICATION

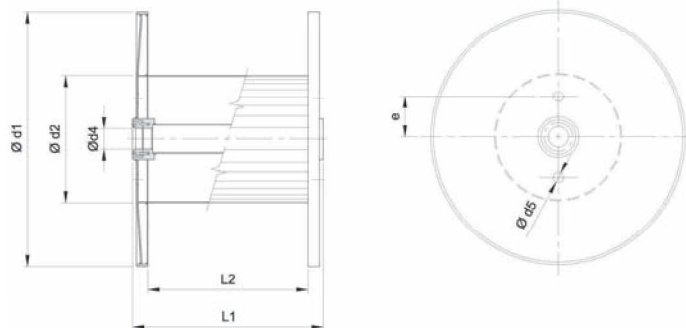
- For all kind of wire / cable machines such as wire drawing, bunching, stranding, rewinding, extrusion lines etc.
- Also suitable for the shipping purposes

TECHNICAL PROPERTIES

- Manufactured from high quality steel plates and tubes
- Welded by MIG/MAG process
- Dynamically balanced according to ISO 1940-G40 for line speed up to 40m/sec

OPTIONS

- Special design to meet customers' request
- Dynamically balanced for line speed up to 50m/sec
- Finish painting acc. to customer request



SMC TYPE STEEL DRUMS - DIN 46395

SIZE RANGE

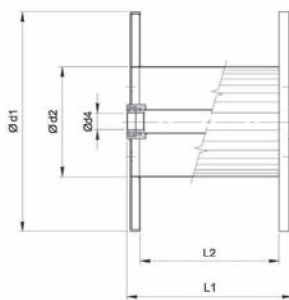
- Ref. DIN 46395
- Ref. Customers' : Special requirements

TECHNICAL PROPERTIES

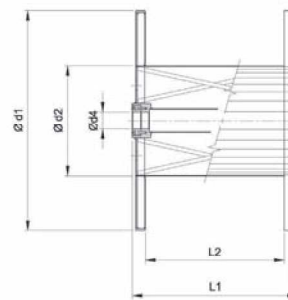
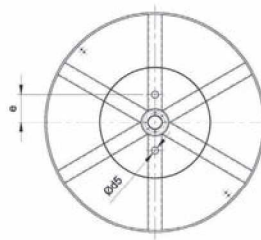
- Manufactured from high quality steel plates and tubes
- Welded by MIG/MAG process

OPTIONS

- Special design to meet customers' request
- Heat treatment on bosses
- Changeable hubs for pintle bores
- Finish painting acc. to customer request



SMC-L



SMC-H





SMO TYPE STEEL DRUMS - DIN 46395



SIZE RANGE

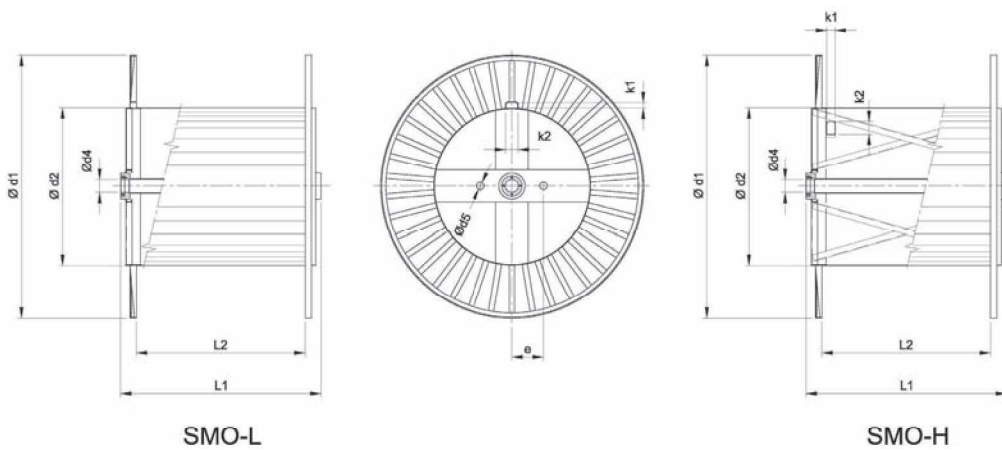
- Ref. DIN 46395
- Ref. Customers' : Special requirements

TECHNICAL PROPERTIES

- Manufactured from high quality steel plates and tubes
- Welded by MIG/MAG process

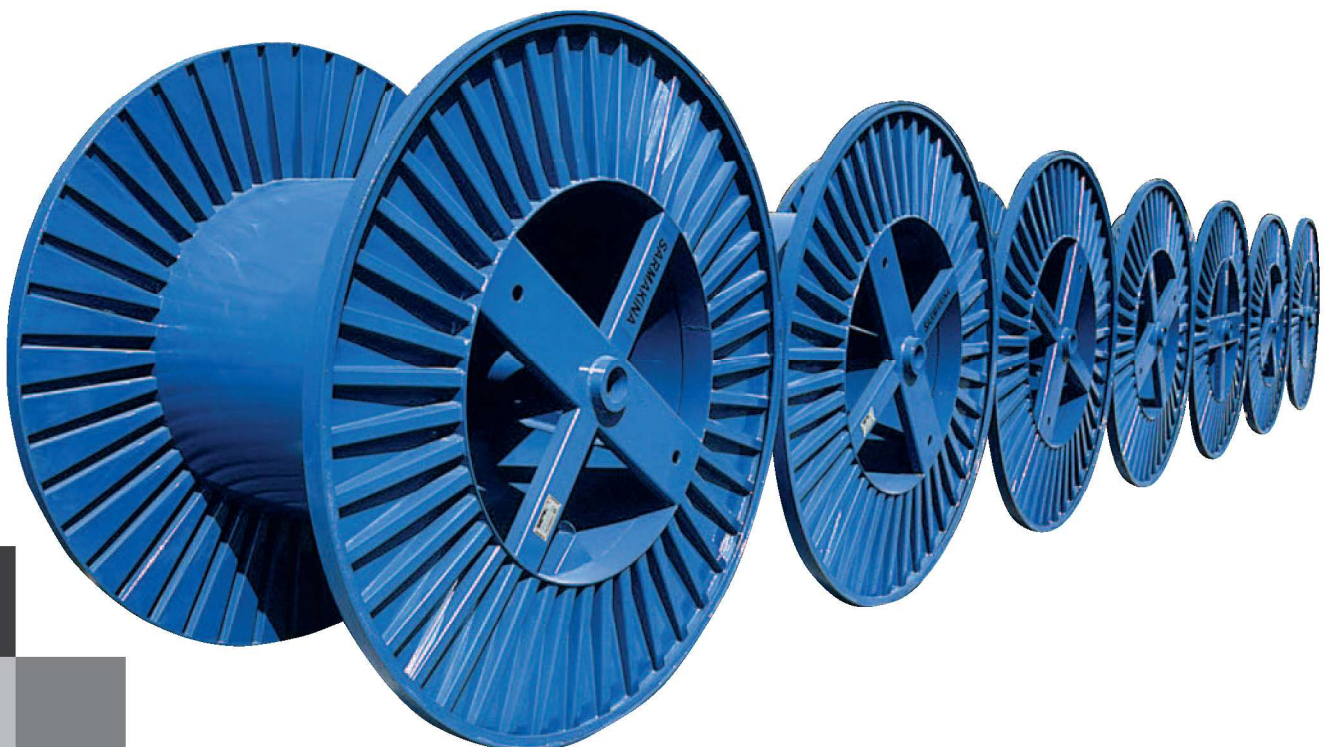
OPTIONS

- Special design to meet customers' request
- Heat treatment on bosses
- Changeable hubs for pintle bores
- Finish painting acc. to customer request



SMO-L

SMO-H



SMB TYPE STEEL DRUMS - DIN 46395

SIZE RANGE

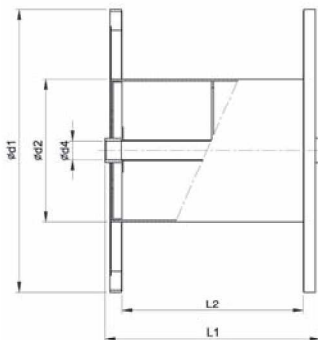
- Ref. DIN 46395
- Ref. Customers' : Special requirements

TECHNICAL PROPERTIES

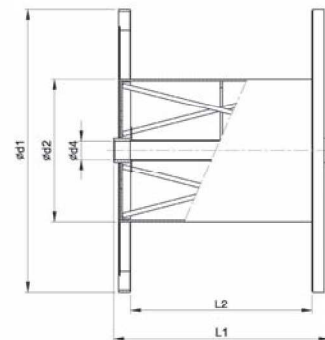
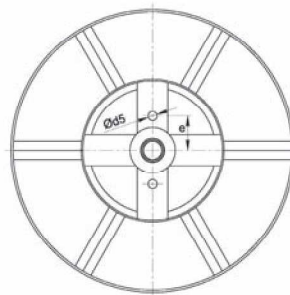
- Manufactured from high quality steel plates and tubes
- Welded by MIG/MAG process

OPTIONS

- Special design to meet customers' request
- Heat treatment on bosses
- Changeable hubs for pintle bores
- Finish painting acc. to customer request



SMB-L



SMB-H



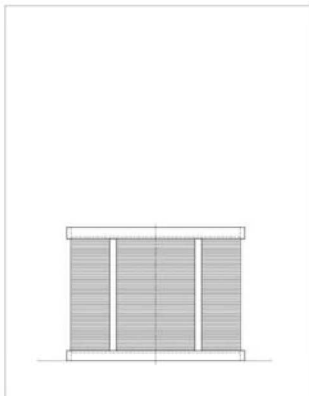


SMS TYPE COLLAPSIBLE STEEL REELS

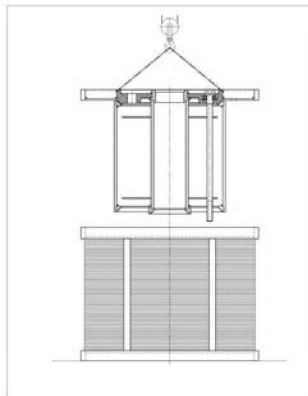


SIZE RANGE

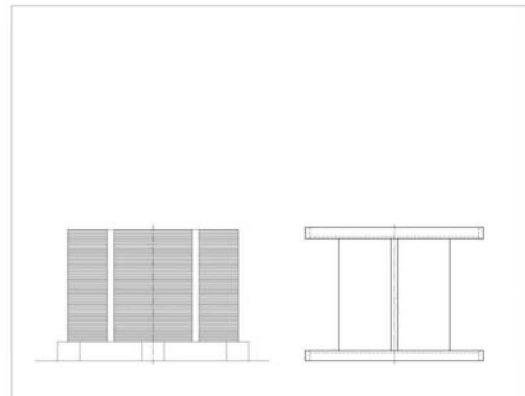
SMS Type Collapsible Steel Reel can be manufactured within ranges of: $\varnothing 630$ - $\varnothing 1250$ mm



AFTER WINDING
OPERATION

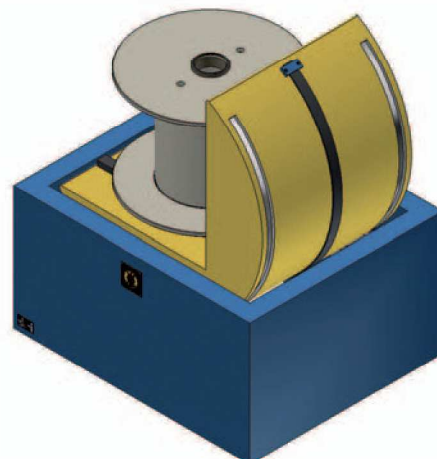
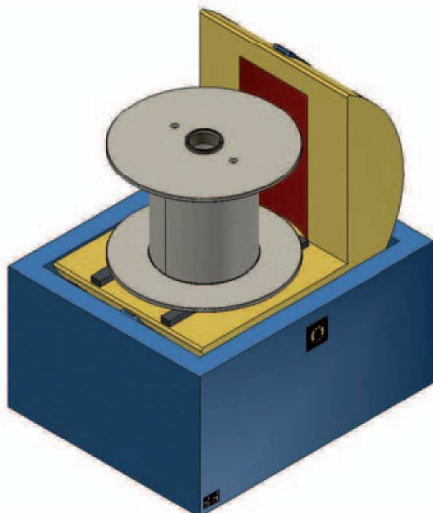


REEL DISASSEMBLY



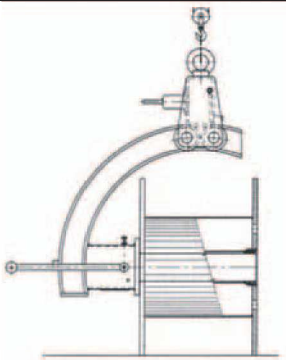
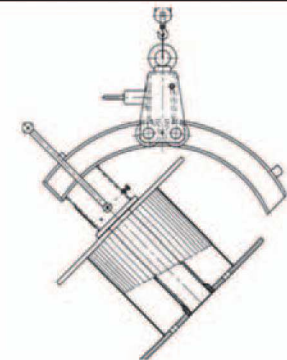
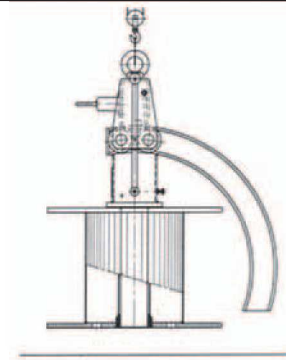

COIL ON A PALET AND "COLLAPSIBLE REEL"
READY FOR ANOTHER WINDING OPERATION

TILTING MACHINE

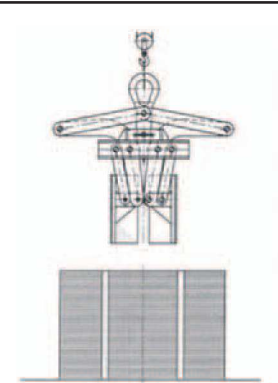
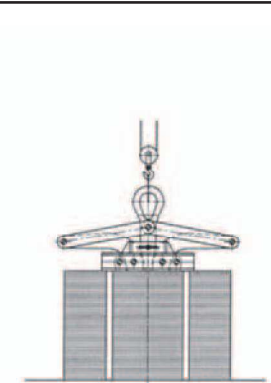
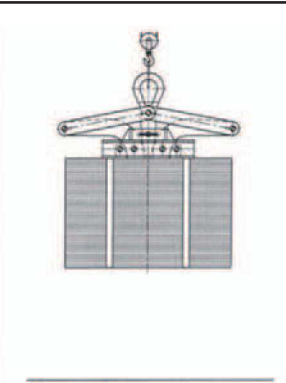



SPECIAL EQUIPMENTS

TILTER

 <p>"TILTER" PLACED IN THE REEL BORE</p>	 <p>LIFTED "TILTER" TILTING THE REEL</p>	 <p>REEL TILTED THROUGH 90°</p>	 <p>FOR FLANGES 630 mm and 800 mm</p>
---	---	---	---

LIFTER

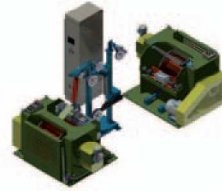
 <p>"LIFTER" READY TO BE PLACED INTO THE COIL</p>	 <p>"LIFTER" CLAMPING THE COIL</p>	 <p>"LIFTER" TRANSPORTING THE COIL</p>	 <p>FOR FLANGES 630 mm and 800 mm</p>
--	---	--	--



MACHINERY



**SCM TYPE MOTOR
DRIVEN PAY-OFF**
Manufactured as 1-2-4-6 reels



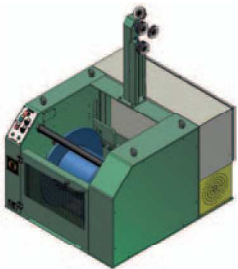
**SAM TYPE WIRE
REWINDING MACHINE**



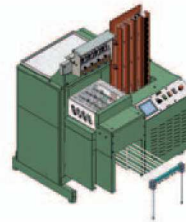
**SCMPK TYPE MOTOR
DRIVEN PAY-OFF**



**SASM TYPE
REWINDING MACHINE**



**SCMPK 630.5 TYPE MOTOR
DRIVEN PAY-OFF**



**SBS TYPE AUTOMATIC
WIRE WINDER**



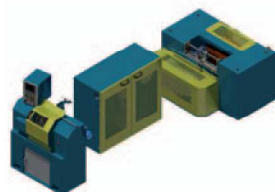
**SCS 315 MODULAR
TYPE STATIC PAY-OFF**



**SBF TYPE DRUM
BAND FILTER**



**SS 630/800 TYPE
WIRE SPOOLER**



**SKTA TYPE WELDING
WIRE REWINDING
MACHINE**

SCM 630/800-1 TYPE MOTOR DRIVEN PAY-OFF

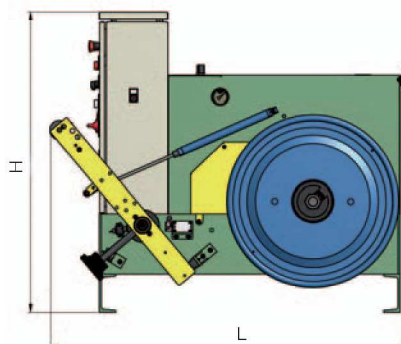
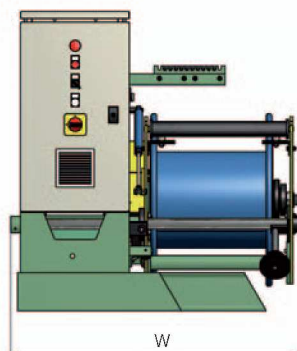
MAIN CHARACTERISTICS

- Loading and unloading of reel by hall crane or transpalet
- Braked AC Motors
- Motor speed control by frequency inverter controlled by magnetic flux vector
- Wire tension is maintained fixed until the reel is relieved from its fully loaded position
- Wire tension control is normally effected by pneumatic dancer and PID controlled inverter
- Dancer control by inductive analog switch



NOTE: According to the customer request; the pay-offs can be manufactured as “Heavy-Duty” by using larger cylinders and stronger dancer arms. “Heavy-Duty” pay-offs can work with conductors of cross-section up to 6,00 mm².

TECHNICAL SPECIFICATIONS	SCM 630-1	SCM 630-1.2	SCM 800-1
Line Speed	300 m/min. (max.)	600 m/min. (max.)	300 m/min. (max.)
Conductor Cross Section	(0,054-2,50) mm ²	(0,054-2,50) mm ²	(0,054-2,50) mm ²
Number of Reels	1	1	1
Motor Power	1,5 kW AC	3 kW AC	3 kW AC
Supply Voltage	220 V/50 Hz	380 V/50 Hz	380 V/50 Hz
Compressed Air	4 - 10 bar	4 - 10 bar	4 - 10 bar
Covered Area (LxWxH)	1320x1065x1180	1320x1065x1180	1430x1195x1210
REEL DIMENSIONS	(Acc. to DIN 46397)		
Flange Diameter	630 mm	630 mm	800 mm
Barrel Diameter	355 mm	355 mm	450 mm
Bore Diameter	127 mm	127 mm	127 mm
Traverse Width	400 mm	400 mm	500 mm
Total Width	475 mm (max.)	475 mm (max.)	540 mm
Weight	600 kg (max.)	600 kg (max.)	1000 kg (max.)





SCM 630/800-2 TYPE MOTOR DRIVEN PAY-OFF

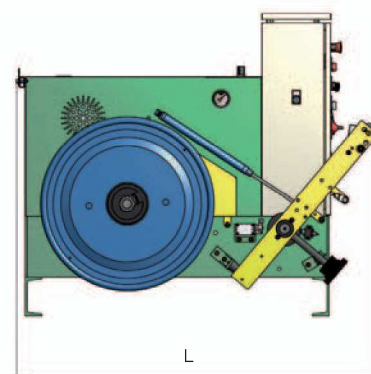
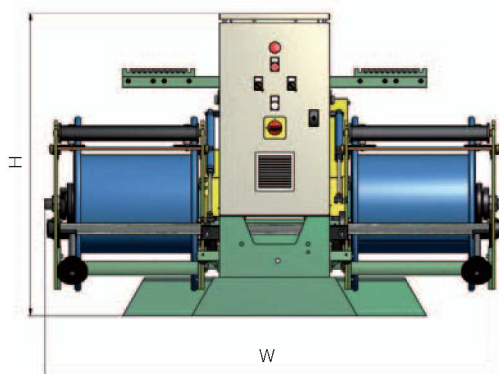


MAIN CHARACTERISTICS

- Loading and unloading of reel by hall crane or transpalet
- Braked AC Motors
- Motor speed control by frequency inverter controlled by magnetic flux vector
- Wire tension is maintained fixed until the reel is relieved from its fully loaded position
- Wire tension control is normally effected by pneumatic dancer and PID controlled inverter
- Dancer control by inductive analog switch

NOTE: According to the customer request; the pay-offs can be manufactured as "Heavy-Duty" by using larger cylinders and stronger dancer arms. "Heavy-Duty" pay-offs can work with conductors of cross-section up to 6,00 mm².

TECHNICAL SPECIFICATIONS	SCM 630-2	SCM 630-2.2	SCM 800-2
Line Speed	300 m/min. (max.)	600 m/min. (max.)	300 m/min. (max.)
Conductor Cross Section	(0,054-2,50) mm ²	(0,054-2,50) mm ²	(0,054-2,50) mm ²
Number of Reels	2	2	2
Motor Power	1,5 kW AC	3 kW AC	3 kW AC
Supply Voltage	220 V/50 Hz	380 V/50 Hz	380 V/50 Hz
Compressed Air	4 - 10 bar	4 - 10 bar	4 - 10 bar
Covered Area (LxWxH)	1320x1660x1180 mm	1320x1660x1180 mm	1430x1990x1210 mm
REEL DIMENSIONS	(Acc. to DIN 46397)		
Flange Diameter	630 mm	630 mm	800 mm
Barrel Diameter	355 mm	355 mm	450 mm
Bore Diameter	127 mm	127 mm	127 mm
Traverse Width	400 mm	400 mm	500 mm
Total Width	475 mm (max.)	475 mm (max.)	540 mm
Weight	600 kg (max.)	600 kg (max.)	1000 kg (max.)



SCM 630/800-4 TYPE MOTOR DRIVEN PAY-OFF

MAIN CHARACTERISTICS

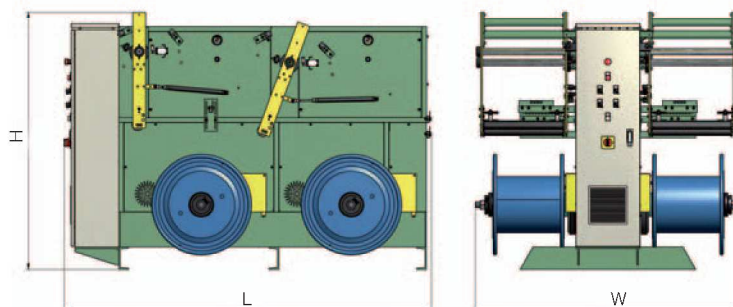
- Loading and unloading of reel by hall crane or transpalet
- Braked AC Motors
- Motor speed control by frequency inverter controlled by magnetic flux vector
- Wire tension is maintained fixed until the reel is relieved from its fully loaded position
- Wire tension control is normally effected by pneumatic dancer and PID controlled inverter
- Dancer control by inductive analog switch

NOTE: According to the customer request; the pay-offs can be manufactured as “Heavy-Duty” by using larger cylinders and stronger dancer arms. Heavy-Duty pay-offs can work with conductors of cross-section up to 6,00 mm².



TECHNICAL SPECIFICATIONS	SCM 630-4	SCM 630-4.2	SCM 800-4
Line Speed	300 m/min. (max.)	600 m/min. (max.)	300 m/min. (max.)
Conductor Cross Section	(0,14-2,50) mm ²	(0,14-2,50) mm ²	(0,14-2,50) mm ²
Number of Reels	4	4	4
Motor Power	1,5 kW AC	3 kW AC	3 kW AC
Supply Voltage	380 V/50 Hz	380 V/50 Hz	380 V/50 Hz
Compressed Air	4 - 10 bar	4 - 10 bar	4 - 10 bar
Covered Area (LxWxH)	2300x1660x1700	2560x1660x1900	2300x1990x1910
REEL DIMENSIONS	(Acc. to DIN 46397)		
Flange Diameter	630 mm	630 mm	800 mm
Barrel Diameter	355 mm	355 mm	450 mm
Bore Diameter	127 mm	127 mm	127 mm
Traverse Width	400 mm	400 mm	500 mm
Total Width	475 mm (max.)	475 mm (max.)	540 mm
Weight	600 kg (max.)	600 kg (max.)	1000 kg (max.)

*SCM 630-4.2 Motor Driven Pay-Off is suitable for working together with SBS Type Automatic Wire Winder.





SCM 630/800-6 TYPE MOTOR DRIVEN PAY-OFF

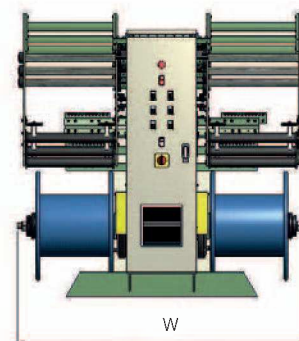
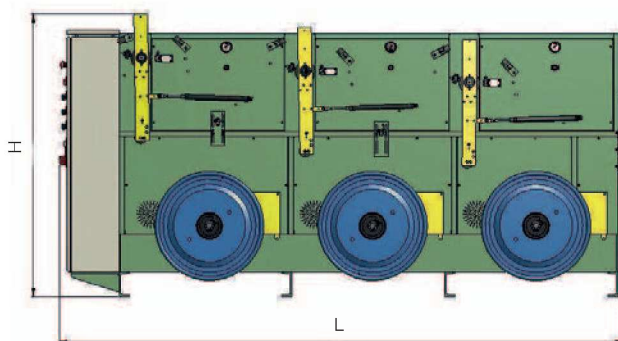


MAIN CHARACTERISTICS

- Loading and unloading of reel by hall crane or transpalet
- Braked AC Motors
- Motor speed control by frequency inverter controlled by magnetic flux vector
- Wire tension is maintained fixed until the reel is relieved from its fully loaded position
- Wire tension control is normally effected by pneumatic dancer and PID controlled inverter
- Dancer control by inductive analog switch

NOTE: According to the customer request; the pay-offs can be manufactured as "Heavy-Duty" by using larger cylinders and stronger dancer arms. "Heavy-Duty" pay-offs can work with conductors of cross-section up to 6,00 mm².

TECHNICAL SPECIFICATIONS	SCM 630-6	SCM 630-6.2	SCM 800-6
Line Speed	300 m/min. (max.)	600 m/min. (max.)	300 m/min. (max.)
Conductor Cross Section	(0,14-2,50) mm ²	(0,14-2,50) mm ²	(0,14-2,50) mm ²
Number of Reels	6	6	6
Motor Power	1,5 kW AC	3 kW AC	3 kW AC
Supply Voltage	380 V/50 Hz	380 V/50 Hz	380 V/50 Hz
Compressed Air	4 - 10 bar	4 - 10 bar	4 - 10 bar
Covered Area (LxWxH)	3250x1660x1710	3250x1660x1710	3250x1990x1910
REEL DIMENSIONS	(Acc. to DIN 46397)		
Flange Diameter	630 mm	630 mm	800 mm
Barrel Diameter	355 mm	355 mm	450 mm
Bore Diameter	127 mm	127 mm	127 mm
Traverse Width	400 mm	400 mm	500 mm
Total Width	475 mm (max.)	475 mm (max.)	540 mm
Weight	600 kg (max.)	600 kg (max.)	1000 kg (max.)



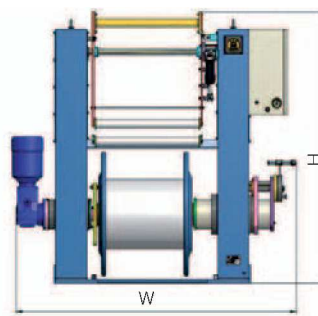
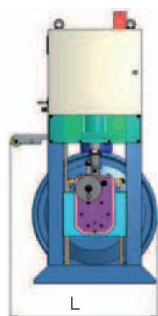
SCMPK 630/800 TYPE MOTOR DRIVEN PAY-OFF

MAIN CHARACTERISTICS

- Loading and unloading of reel by pneumatic cylinders
- Pintle type design, of which one is fixed and the other is to be either manually or pneumatically activated
- Braked AC Motors
- Motor speed control by frequency inverter controlled by magnetic flux vector
- Wire tension is maintained fixed until the reel is relieved from its fully loaded position
- Wire tension control is normally effected by pneumatic dancer and PID controlled inverter
- Dancer control by inductive analog switch
- According to customer request the pay-off can be manufactured with a line speed up to 600 m/min.

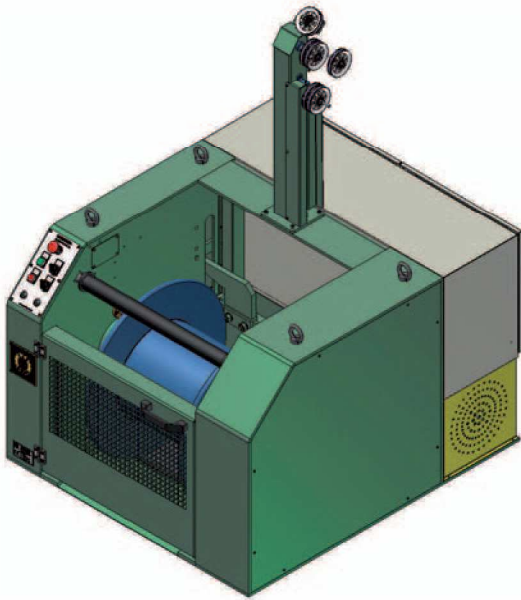


TECHNICAL SPECIFICATIONS	SCMPK 630	SCMPK 800
Line Speed	300 m/min. (max.)	300 m/min. (max.)
Conductor Cross Section	(0,14-2,50) mm ²	(10,14-2,50) mm ²
Number of Reels	1	1
Motor Power	1,5 kW AC	2,2 kW AC
Supply Voltage	220 V/50 Hz	220 V/50 Hz
Compressed Air	4 - 10 bar	4 - 10 bar
Covered Area (LxWxH)	850x1740x1560	940x1800x1750
REEL DIMENSIONS	(Acc. to DIN 46397)	
Flange Diameter	630 mm	800 mm
Barrel Diameter	355 mm	450 mm
Bore Diameter	127 mm	127 mm
Traverse Width	400 mm	500 mm
Total Width	475 mm (max.)	540 mm
Weight	600 kg (max.)	1000 kg (max.)





SCMPK 630.5 TYPE MOTOR DRIVEN PAY-OFF

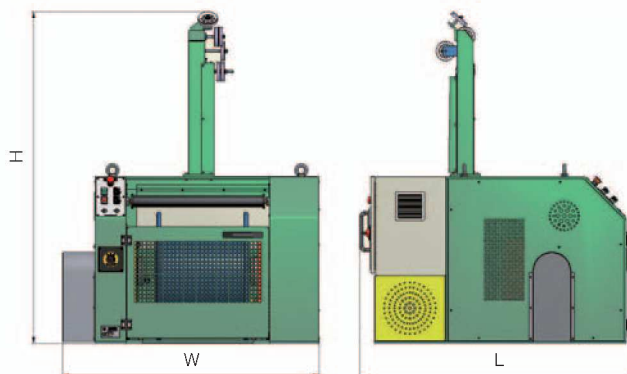


MAIN CHARACTERISTICS

- Loading and unloading of reel by pneumatic cylinders
- Pintle type design, of which one is fixed and the other is pneumatically activated
- Braked AC Motors
- Motor speed control by frequency inverter controlled by magnetic flux vector
- Wire tension is maintained fixed until the reel is relieved from its fully loaded position
- Wire tension control is normally effected by pneumatic dancer and PID controlled inverter
- Dancer control by inductive analog switch

TECHNICAL SPECIFICATIONS	
Line Speed	850 m/min. (max.)
Conductor Cross Section	(0,054-2,50) mm ²
Number of Reels	1
Motor Power	7,5 kW AC
Supply Voltage	380 V/50 Hz
Compressed Air	4 - 10 bar
Covered Area (LxWxH)	1250x1350x1620
REEL DIMENSIONS	(Acc. to DIN 46397)
Flange Diameter	630 mm
Barrel Diameter	355 mm
Bore Diameter	127 mm
Traverse Width	400 mm
Total Width	475 mm (max.)
Weight	600 kg (max.)

*SCMPK 630-5 Type Motor Driven Pay-Off is suitable for working with SBS Type Automatic Wire Winder.



SCS 315 MODULAR TYPE STATIC PAY-OFF

MAIN CHARACTERISTICS

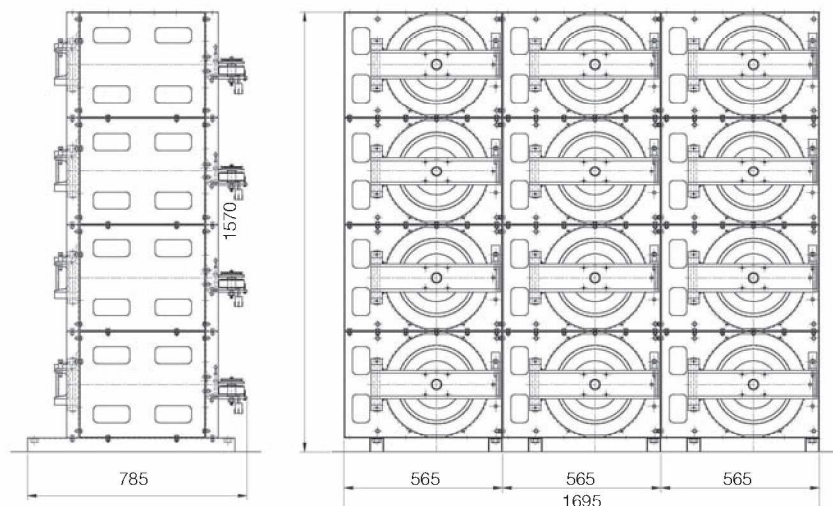
- Loading and unloading of reel manually
- Modular design
- Wire-break and wire-end detector at outlet of pay-off
- Sensitive tension unit with magnet break
- All wire guides made from sinter ceramics



12 Modules (3x4 modules)

TECHNICAL SPECIFICATIONS	
Line Speed	300 m/min. (max.)
Conductor Diameter	(0,10-0,40) mm
Supply Voltage	24 V DC
Weight	210 Kg - 4 Modules
REEL DIMENSIONS	(Acc. to DIN 46399)
Flange Diameter	315 mm
Bore Diameter	(22-127) mm
Total Width	236 mm (max.)

*SCS 315 Modular Type Static Pay-Off is suitable for working with SBS Type Automatic Wire Winder





SS 630/800 TYPE WIRE SPOOLER



MAIN CHARACTERISTICS

- Loading and unloading of reel is performed automatically by pneumatic or hydraulic cylinder
- Pintle type design, of which one is fixed and the other is to be either manually or pneumatically or hydraulically activated
- Braked AC motors
- Motor speed control by AC driver controlled by PID
- Linespeed synchronization is made by potentiometer on the dancer arm
- Wire travers system is driven by a electric A.C. motor having a frequency inverter and change of direction is performed by a pneumatic system
- Control of wire tension is made by a dancer. For small diameters wire tension is adjusted by weight on the dancer arm and for large diameters by pneumatic cylinder
- Wire tension is maintained fixed until the reel is relieved from its fully loaded position

OPTIONS

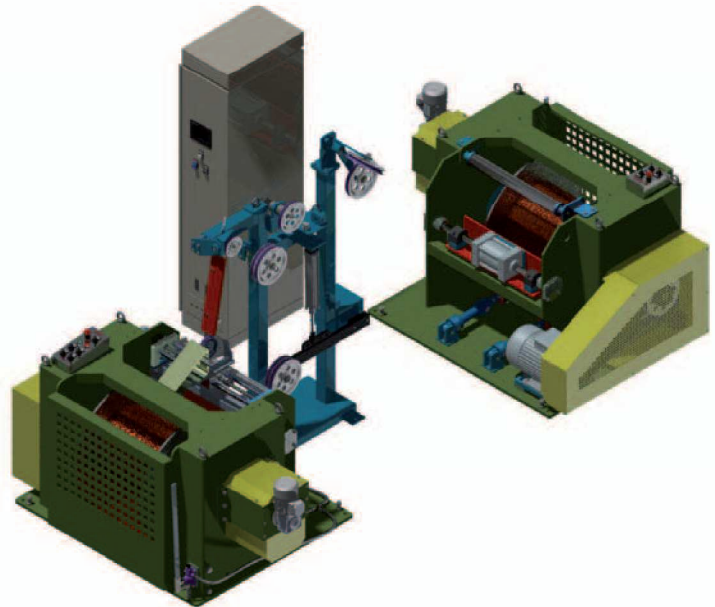
- Wire travers system is driven by servo motor control

TECHNICAL SPECIFICATIONS	SS 630 - 30 m/s	SS 800 - 30 m/s
Line Speed	30 m/sec. (max.)	30 m/sec. (max.)
Conductor Cross Section	(0,10-3,00) mm ²	(0,10-3,00) mm ²
Number of Reel	1	1
Motor Power	30 kW AC	37 kW AC
Voltage	400 VAC / 50 Hz	400 VAC / 50 Hz
Required Compressed Air	4 - 10 bar	4 - 10 bar
Breaking Power	0,4-0,6 Mpa	0,4-0,6 Mpa
REEL DIMENSIONS	(Acc. to DIN 46397)	
Flange Diameter	630 mm	800 mm
Barrel Diameter	355 mm	450 mm
Bore Diameter	127 mm	127 mm
Traverse Width	400 mm	500 mm
Total Width	475 mm (max.)	540 mm
Weight	600 kg (max.)	1000 kg (max.)

SAM TYPE WIRE REWINDING MACHINE

MAIN CHARACTERISTICS

- Loading and unloading of reel is performed automatically by pneumatic or hydraulic cylinder
- Pintle type design, of which one is fixed and the other is to be either manually or pneumatically activated
- Pneumatic brakes
- Motor speed control by frequency inverter controlled by magnetic flux vector
- Wire tension is maintained fixed until the reel is relieved from its fully loaded position
- Wire tension control is normally effected by pneumatic dancer and PID controlled inverter
- Dancer control by inductive analog switch
- Graphic Operation Panel that enable control of the machine and monitoring of faults.



OPTIONS

- Placement of the reel base plate is performed by pneumatic cylinders
- Wire break control system

TECHNICAL SPECIFICATIONS	SAM 630 / 1200	SAM 800 / 1200
Line Speed	1200 m/min. (max.)	1200 m/min. (max.)
Conductor Cross Section	(0,10 - 3,00) mm ²	(0,10 - 3,00) mm ²
Motor Power	2 x 11 kW AC	2 x 15 kW AC
Supply Voltage	380 V / 50 Hz	380 V / 50 Hz
Compressed Air	4 -10 bar	4 - 10 bar
Covered Area (LxWxH)	4350x1765x1955	4055x2750x1910
REEL DIMENSIONS	(Acc. to DIN 46397)	
Flange Diameter	500 - 630 mm	630 - 800 mm
Barrel Diameter	315 - 350 mm	355 - 450 mm
Bore Diameter	127 mm	127 mm
Traverse Width	400 mm	500 mm
Total Width	475 mm (max.)	540 mm
Weight	600 kg (max.)	1200 kg (max.)



SASM TYPE WIRE REWINDING MACHINE



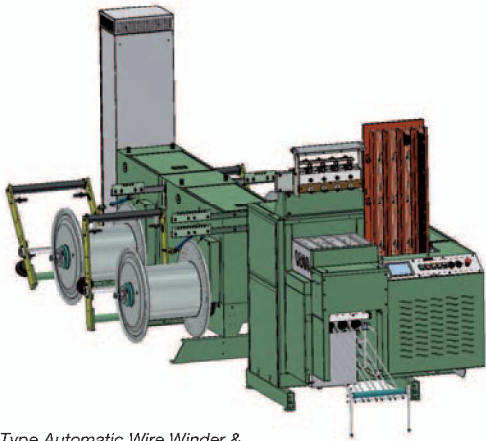
MAIN CHARACTERISTICS

- Loading and unloading of reel is performed by a hydraulic hand pump
- Pintle type design of which one is fixed and the other is to be manually activated
- Braked AC Motor
- Motor speed control by frequency inverter controlled by magnetic flux vector
- Wire traverse system is driven by an electric A.C motor having a frequency inverter controlled by Uhing traverse unit
- Wire tension adjusted by a suitable spring force and straightener rolls on wire tension regulating unit
- Wire tension is maintained fixed until the reel is relieved from its fully loaded position

TECHNICAL SPECIFICATIONS

Line Speed	180 m/min.(max.)
Conductor Diameter	(1,1 - 3,5) mm
Conductor	Cu Wire Low Carbon Steel Wire
Number of Reels	1
Motor Power	1,5 kW
Supply Voltage	220 V / 50 Hz
Compressed Air	4 - 6 bar
Covered Area (LxWxH)	3330x2060x3380
REEL DIMENSIONS	(Acc. to DIN 46397)
Flange Diameter	500 - 630 mm
Barrel Diameter	280 - 355 mm
Bore Diameter	127 - 127 mm
Traverse Width	315 - 400 mm
Total Width	375 - 475 mm (max.)

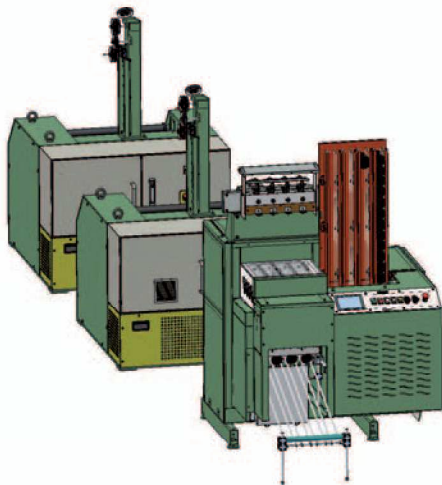
SBS TYPE AUTOMATIC WIRE WINDER



SBS Type Automatic Wire Winder & SCM 630-4.2 Motor Driven Pay-Off

MAIN CHARACTERISTICS

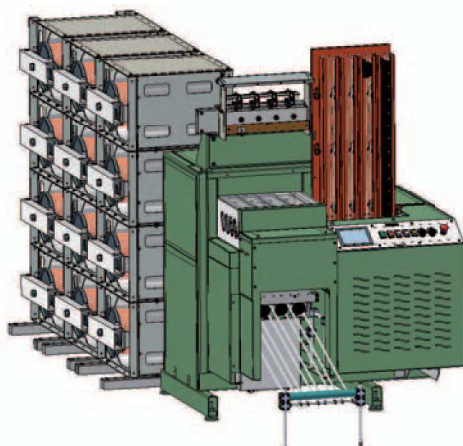
- Operation is controlled automatically. Trapping and initial winding of wires; cutting and fixing of wire ends are made automatically
- Cu, Al, Fe (annealed), stainless steel and textiles material can be used
- Input parameters can be set by using the touch screen. Winding process of the spool is made according to the stored parameters
- Wound spools are released from the spool spindles into a magazine and the spooling process restarts automatically
- Spools are changed automatically with magazine



SBS Type Automatic Wire Winder & SCMPK 630.5 Type Motor Driven Pay-Off

As shown in the figures; SBS Type Automatic Wire Winder can be used with:

- SCM 630-4.2 Motor Driven Pay-Off (page no.15)
- SCMPK 630.5 Type Motor Driven Pay-Off (page no.18)
- SCS 315 Modular Type Static Pay-Off (page no.19)



SBS Type Automatic Wire Winder & SCS 315 Modular Type Static Pay-Off

TECHNICAL SPECIFICATIONS

Line Speed*	8500 rpm (max.)
Single Wire Diameter**	(0,05-0,40) mm
Max. Wire Splitting per Braiding Bobbin	10 Wires
Permissible Wire Bundle Cross-Section (Cu Soft)	0,370 mm ² (max.) 0,031 mm ² (min.)
Machine Dimensions (LxWxH)	1700x1500x2200

REEL DIMENSIONS

Flange Diameter (mm)	40....80
Traverse Width (mm)	20....110
Total Width (mm)	25....125
Max. Weight (kg)	3

* Depending on the pay-off, quality of the material being used and winding quality of the reel on the pay-off

** With correct type of pay-off



SBF TYPE DRUM BAND FILTER



Designed in compact mode for the purpose of filtering of various soluble oils, emulsions and cutting liquids.

WORKING PRINCIPLE

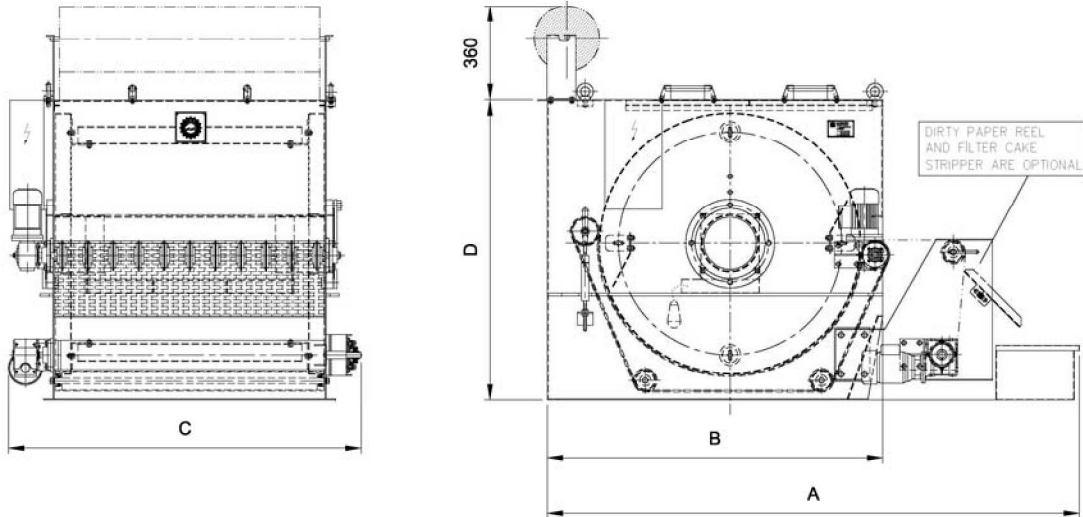
- Filtering is performed in a semi cylindrical container, under approx. 300-400mm hydrostatic pressure.
- Filter paper placed between the cylindrical wheels and carrying AISI 316 conveyor belt situated at both sides of the filter assures filtering of liquid under hydrostatic pressure.
- After having the formation of cake on top of the filter paper, the filter paper becomes watertight. Consequently; the liquid level rises to a known elevation and the moving of the conveyor assures the clean paper to appear on the filtering area. The contaminated paper area secures flow on to the collecting container.
- Following appearance of the clean paper, the conveyor stops automatically.

APPLICATION AND SPECIFICATIONS

- Filters are used in metal industry to filter semi synthetic or fully synthetic oil based mineral emulsions prepared with water; especially used with wire drawing machine emulsion at copper wire processing industry. Additionally; filters are used with CNC lathes, CNC milling machines, grinding machines, wire erosion benches.
- For protection against corrosive effect of soluble oil and cutting liquids to which the conveyor is directly exposed; the conveyor belt, driving mechanism and driving shafts are fabricated from AISI 316 stainless steel material.
- SBF Type Drum Band Filter works automatically. Therefore; operational and maintenance expenses are very low.



SBF TYPE DRUM BAND FILTER



FILTER TYPE	A mm.	B mm.	C mm.	D mm.	PAPER WIDTH mm.	FILTER CAPACITY lt/min.
SBF 400/500	1120	645	835	540	500	175
SBF 400/710	1120	645	1045	540	710	250
SBF 630/500	1420	900	835	750	500	300
SBF 630/710	1420	900	1045	750	710	400
SBF 800/710	1590	1030	1045	920	710	500
SBF 800/1040	1590	1030	1375	920	1040	750
SBF 1000/1040	1990	1285	1375	1150	1040	1000
SBF 1000/1500	1990	1285	1835	1150	1500	1500
SBF 1000/2000	1990	1285	2335	1150	2000	2000



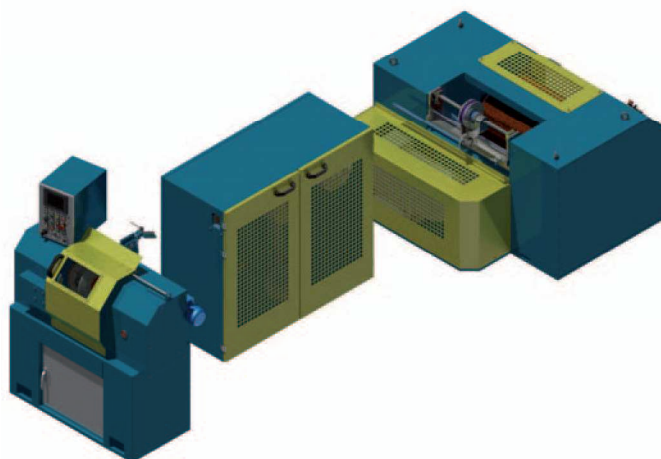
SKTA TYPE WELDING WIRE REWINDING MACHINE

MAIN CHARACTERISTICS

- ▣ SKTA Type Welding Wire Rewinding Machine is designed in order to respool wires with diameter from 0,8mm to 1,6mm at a speed up to 35m/sec
- ▣ Spooling is made onto reels with flange diameter from 100mm to 300mm
- ▣ An operator is required for starting and finishing the spooling process and accompanying the spooling of the first layer with "Automatic First Layer Mode"
- ▣ Graphic Operation Panel that enable control of the machine and monitoring of faults

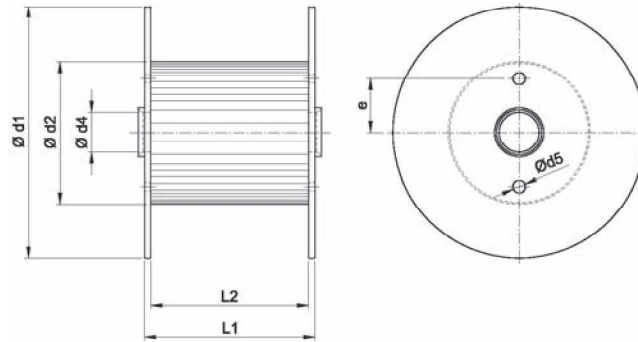
The line can be equipped with various additional accessories such as

- ▣ Toolings / flanges for various types and sizes of spools
- ▣ Different pay-off sizes for different reel dimensions
- ▣ Various types of straightening rollers depending on wire type and size



TECHNICAL SPECIFICATIONS	
Types of Wire	High and Low Carbon steel (MIG), stainless steel, steel flux-cored and other tubular wires, aluminium, copper clad wires, nickel alloys, zirconium, brazing alloys
Wire Diameters	From 0,8mm to 1,6mm solid wire or 2,5mm tubular wire
Types of Spools	Wire baskets, plastic spools, fibre spools, on all models as well as spoolless coils
Line Speed	35 m/sec. (max.)
Pay - Off Motor	37 kW regenerative inverter
Respooler Motor	11 kW AC
Standard Power Supply	380 V - 3 phase 50Hz
Covered Area	
Respooler	1000x1350x1800 mm
Dancer	1500x665x1320 mm
Pay-Off	1600x1875x1100 mm

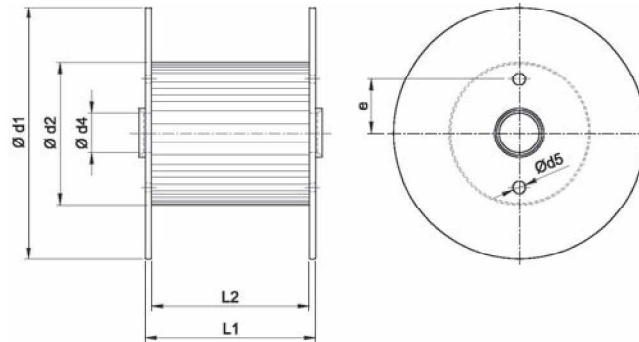
DIN 46391



d1	d2	d4	d5	e	L1	L2	Winding Volume (dm ³)		
710	355	80	30	100	550	400	119		
800	400		40				151		
900	450		50	160	710	560	257		
1000	500		65				330		
1250	630		125	65	300	900	710	650	
1400	710							812	
1600	800	400			1120	900	1357	1583	
1800	1000							2638	
2000	1000	600			1360	1120	1360	1120	2144
2240	1250								3309
	1120	140	65	400	1450	1220	2928		
	1400						4121		
2500	1250	200	80	600	1360	1120	4109		
	1400						3534		
2800	1600			100	1650	1380	1450	1220	4983
	1800								7238
3000	1800			2240	1800	2000	1600	1600	6283
	2000								8397
3150	1800	2500	2000	2000	1600	1600	7442		
	2000						9076		
3350	2000	2500	2000	2500	2000	2000	7103		
	2360						10810		
3550	2000	2500	2000	2500	2000	2000	8837		
	2360						12006		
3750	2360	2500	2000	2500	2000	2000	9952		
	2650						12691		
4000	2650	2500	2000	2500	2000	2000	11535		
	2800						17341		
4250	2650	2500	2000	2500	2000	2000	16057		
	2800						19493		
4500	2800	2500	2000	2500	2000	2000	17671		
	3000								

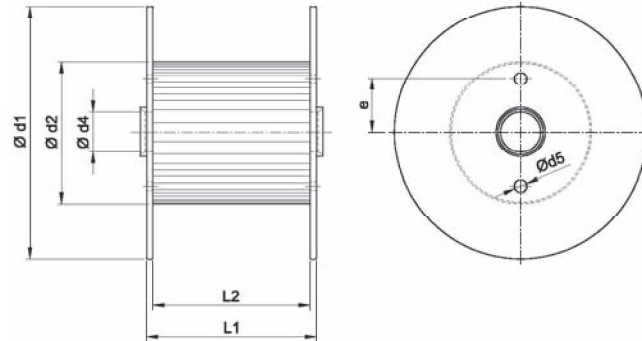


DIN 46395



d1	d2	d4	d5	e	L1	L2	Winding Volume (dm ³)		
100	40	28	8-16	40	80	63	0.42		
125	50				95	80	0.83		
160	63				118	100	1.70		
200	80	36		16-28	71	150	125	3.30	
	100					125	100	2.35	
250	100					190	160	6.60	
	125					150	125	4.60	
315	125					236	200	13.1	
	160					190	160	9.20	
355	140	56-80-127			16-28	112	265	224	18.7
	180						215	180	13.2
400	160						300	250	26.3
	200		236				200	18.8	
450	180		335				280	37.4	
	224		265				224	26.8	
500	200		375	315		51.9			
	250		300	250		36.8			
560	224		56-80-127	28-40		140	425	355	73.4
	280						335	280	51.7
630	250						475	400	105.1
	315						375	315	72.5
710	355	530			450		133.6		
800	400	600			500		188.5		
900	450	670	560		267.2				
1000	500	56-80-127	28-40		160	750	630	371.1	
1120	560					850	710	524.6	
1250	630					950	800	732.4	
1400	710					1060	900	1029.1	
1600	800					1180	1000	1508.0	
1800	1000			1320		1120	1970.4		
2000	1120	80-127	40-63	300	1500	1250	2695.5		
2240	1250	80-127			1700	1400	3799.1		
2500	1500				1900	1600	5026.5		
2800	1800				2120	1800	6503.1		

DIN 46397



d1	d2	d4	d5	e	L1	L2	Winding Volume (dm ³)
100	56	50	-	-	80	60	0.32
125	71	63			95	75	0.62
160	90	80			118	95	1.31
200	112	100	-	-	150	118	2.54
	125						2.26
	140						1.89
224	125	127	-	-	170	140	3.80
	140						3.36
	160						2.70
250	140	127	-	-	190	160	5.39
	160						4.64
	180						3.78
315	200	127	-	-	236	200	10.5
	224						9.30
	200						7.70
355	200	127	16	100	212	180	12.2
	224		15.1				
	250		13.3				
400	224	127	-	-	236	200	11.2
	224						17.3
	250						21.6
450	280	127	-	-	300	250	19.1
	315						16.0
	250						24.6
500	250	127	28	100/140	265	224	30.8
	280						27.3
	315						22.7
560	280	127	-	-	300	250	33.7
	280						42.5
	315						37.5
630	355	127	-	-	335	280	30.7
	315						47.1
	315						59.8
710	355	127	-	-	425	355	52.3
	400						42.8
	355						67.0
800	400	127/200	40	170	375	315	61.1
	400						86.2
	450						74.4
1000	450	127/200	-	-	475	400	61.1
	450						95.9
	500						121.6
1250	500	250	50	250	530	450	106.6
	450						89.8
	450						137.0
1250	560	250	-	-	475	400	172.0
	500						153.0
	560						128.0
1250	560	250	-	-	600	500	340.0
	630						298.0
	710						245.0
1250	710	250	-	-	750	630	663.0
	800						580.0
1250	900	250	-	-	950	800	473.0



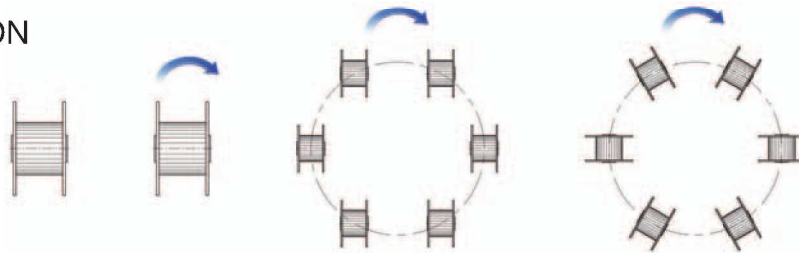
SARMAKINA REEL QUESTIONNAIRE

In order to provide you the best solution for your requirements, we kindly request you to fill in the questionnaire.

1. MAIN MACHINE DETAILS

Type of the machine :
 Producer :

2. REEL APPLICATION

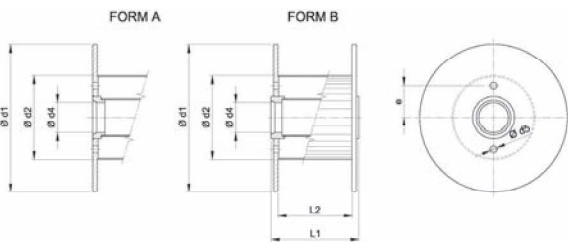


A. Rotation around the longitudinal axis Speed
 B. Rotation over the flanges Speed
 C. Planetary motion in horizontal axis Speed
 D. Rigid planetary motion Speed

3. WINDING MATERIAL

Wire Material : Dimension :
 Cable
 Strand
 Rope
 Other

4. REEL DIMENSION



FORM A FORM B
 d1 : d5 :
 d2 : e :
 d3 : L1 :
 d4 : L2 :

5. BORE DESIGN

Design 1
 Design 2
 Design 3

α :

6. REQUESTED REEL QUANTITY : PCS

7. REEL COLOUR :
 Painting in Outer Surface Only
 Painting in both Outer and Inner Surfaces

8. REMARKS :



SOME OF OUR REFERENCES



- A.KAYSER / AUTOMOTIVE / GERMANY
- AEB / U.S.A
- AL SHADEN / SYRIA
- AUTO - KABEL / GERMANY
- CATEL / ALGERIA
- DRAHTWERK / GERMANY
- DRAKA NK CABLES/ FINLAND
- DRAKA PARICABLE / FRANCE
- EAST AFRICAN CABLES / KENYA
- ELKA KABELI D.O.O. / CROATIA
- ELKOND / SLOVAKIA
- EMKA JSC / BULGARIA
- E.P.E - E.N.I.C.A / ALGERIA
- GEBAUER & GRILLER / AUSTRIA
- GRANIT / AZERBAIJAN
- HAMADAN CABLE / IRAN
- HEW-KABEL / GERMANY
- ICC NEXANS / EGYPT
- IRAN CABLE / IRAN
- JLC-ZAPARAZHYE / UKRAINE
- JOHN D HOTCHKISS LTD / U.K.
- KASHAN COPPER WORLD / IRAN
- KASHAN POYA / IRAN
- KOBELCO WELDING / NETHERLANDS
- LACROIX-KRESS / GERMANY
- LEONI KABEL / GERMANY
- LES CABLERIES / ALGERIA
- MARLEW S.A. / ARGENTINA
- MASHAD WIRE / IRAN
- MOGHAN WIRE / IRAN
- NATIONAL CABLE / JORDAN
- NEXANS / GERMANY - ROMANIA - NIGERIA
- NIEHOFF / GERMANY
- NORTHERN CABLE / NIGERIA
- O.M. LESMO SPA / ITALY
- SARK WIRE / U.S.A
- SASER / UKRAINE
- SAUDI CABLE / SAUDI ARABIA
- SIGMA CABLES / ITALY
- SOFAFE / ALGERIA
- SOFME / ALGERIA
- SSTCABLE / RUSSIA
- TOMSK CABLE / RUSSIA
- TRI WIRE LTD / U.K.
- WILHELM MULLER / GERMANY
- YAZD WIRE & CABLE / IRAN
- Z.P.P.E ELTRIM / POLAND
- ZIAL AL-OMOUSH / JORDAN



- ABB ELEKTRİK
- AK KABLO
- AKKUR BAKIR
- AKMETAL
- AKSAN
- AKSEKİ BAKIR
- AKTEL
- ALCATEL
- ALTEK DÖKÜM
- ALTIN KABLO
- ALSTOM
- AN KABLO
- AREVA
- ASSAN
- ASTEK INSAAT
- ASTEL
- BAŞOĞLU KABLO
- BEMKA
- BEST TRAFÖ
- BIMLAS KABLO
- BORSAN
- BOSCH
- ÇAĞ KABARA
- ÇAKIRCALI
- ÇELİK HALAT
- ÇARKIT KABLO
- DEGA DEMİR
- DEKA ELEKTRONİK
- DEMİŞAŞ
- ECZACIBAŞI
- EGES
- EGE KABLO
- ELBAK
- ERBAKIR
- ERİKOĞLU
- ERCİYES ÇELİK HALAT
- ETABİR KABLO
- ETİ BAKIR
- EVİN SANAYİ
- FİLİZ BAKIR
- GEDİK HOLDİNG
- GENÇLER KABLO
- GEOMA
- GESU
- HAKBAKIR
- HAŞ ÇELİK
- HEDEF KABLO
- HERKÜL KABLO
- HES KABLO
- HİLKAR ELEKTRONİK
- KABLOTEK
- KBI
- KLAS KABLO
- LEONI
- MAKSAN
- MASS KABLO
- NACAR KABLO
- NBR MAKİNA
- NEXANS
- NİĞDELİOĞLU
- NİL ÇELİK
- ODEMA
- OERLIKON
- ÖZEL BAKIR
- ÖZER METAL
- ÖZGÜN KABLO
- ÖZGÜVEN KABLO
- ÖZNUR KABLO
- PARTEKS
- REPKON
- SAHRA KABLO
- SAMM
- SANTEL
- SARCAM BOBİNAJ
- SARDA
- SARKUYSAN
- SENA KABLO
- SARTEL KABLO
- SCHNEIDER
- SIEMENS
- SURTEL
- ŞAHİNLER METAL
- TEKERSAN
- TEKLAS KAUCUK
- TELMAKSAN
- TELSAŞ
- TELTEKS KABLO
- TUMKA KABLO
- TÜRK PIRELLİ
- TÜRK PRYSMIAN
- ÜNİKA KABLO
- ÜNKA KABLO
- ÜNTEL KABLO
- VATAN KABLO
- YILMAZLAR KABLO
- 2M KABLO

www.sarmakina.com.tr



SARMAKINA

SANAYİ VE TİCARET A.Ş.

Beylikbaşı Mahallesi 343 Sokak No: 3
41400 Darıca - KOCAELİ / TÜRKİYE
Tel: +90.262.653 90 82 Fax: +90.262.653 90 89